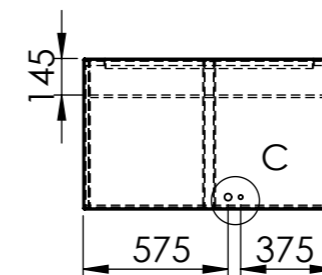
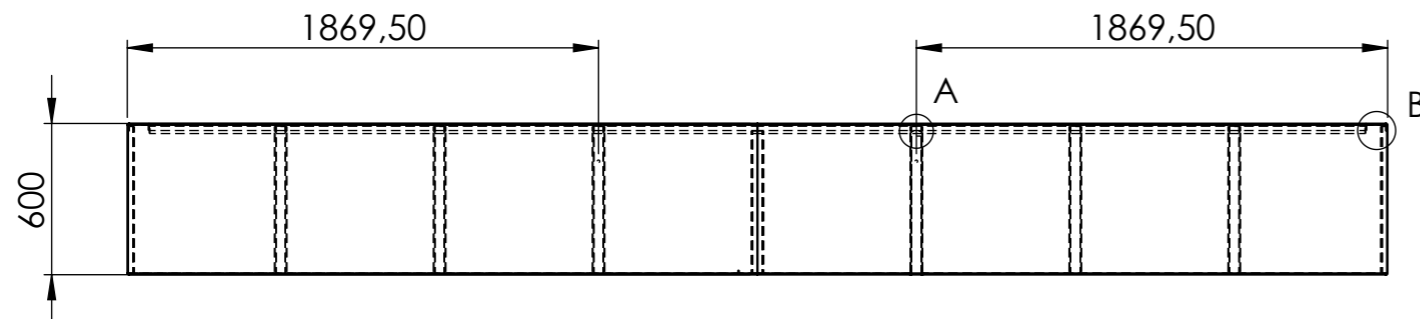
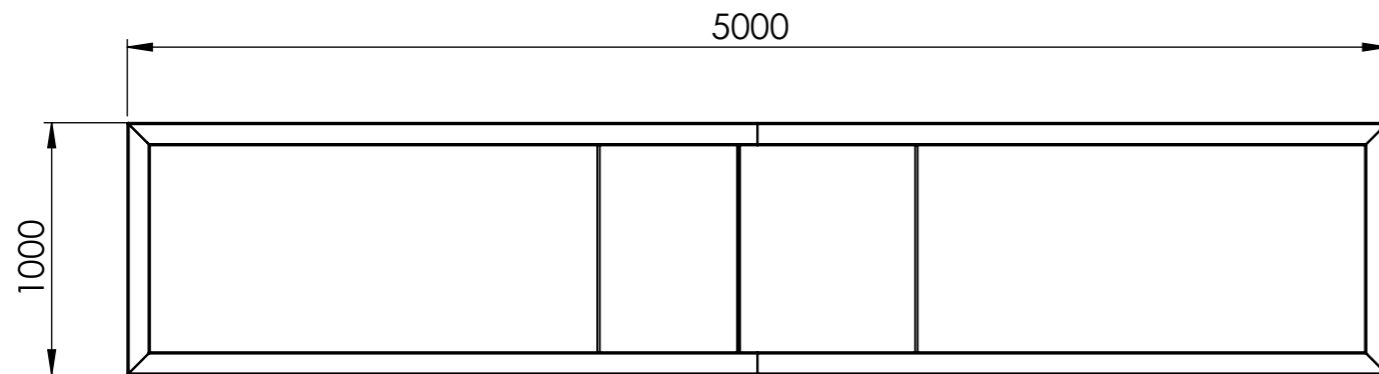
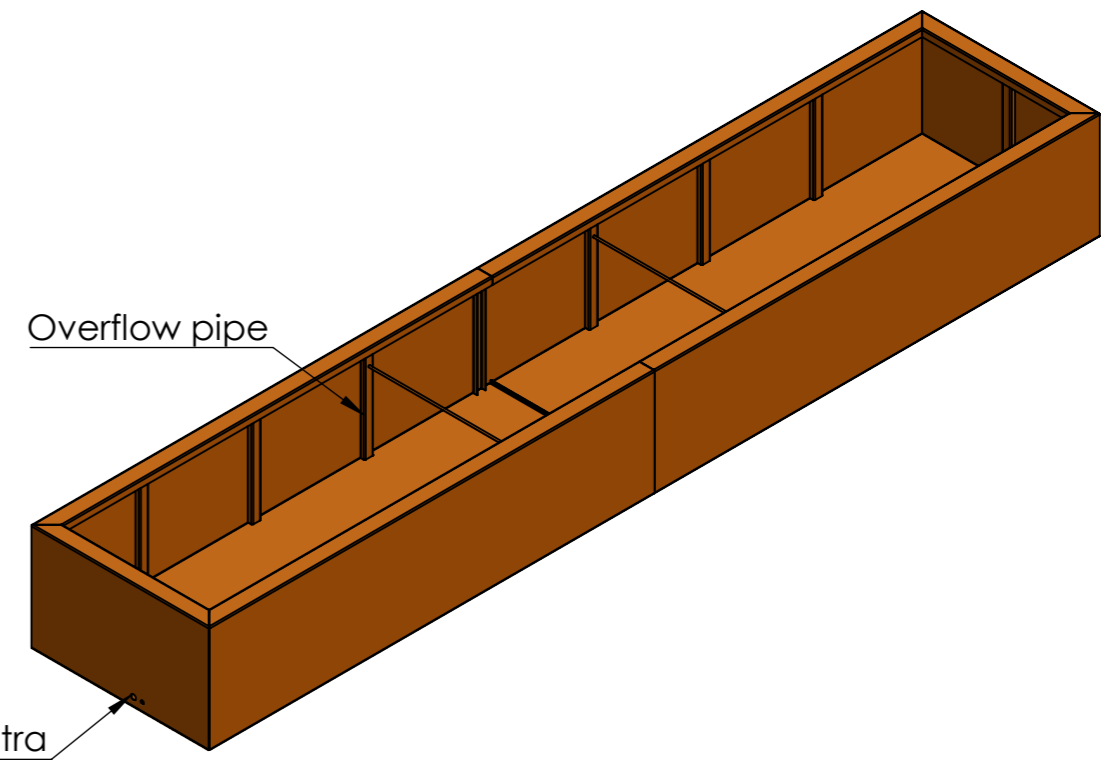
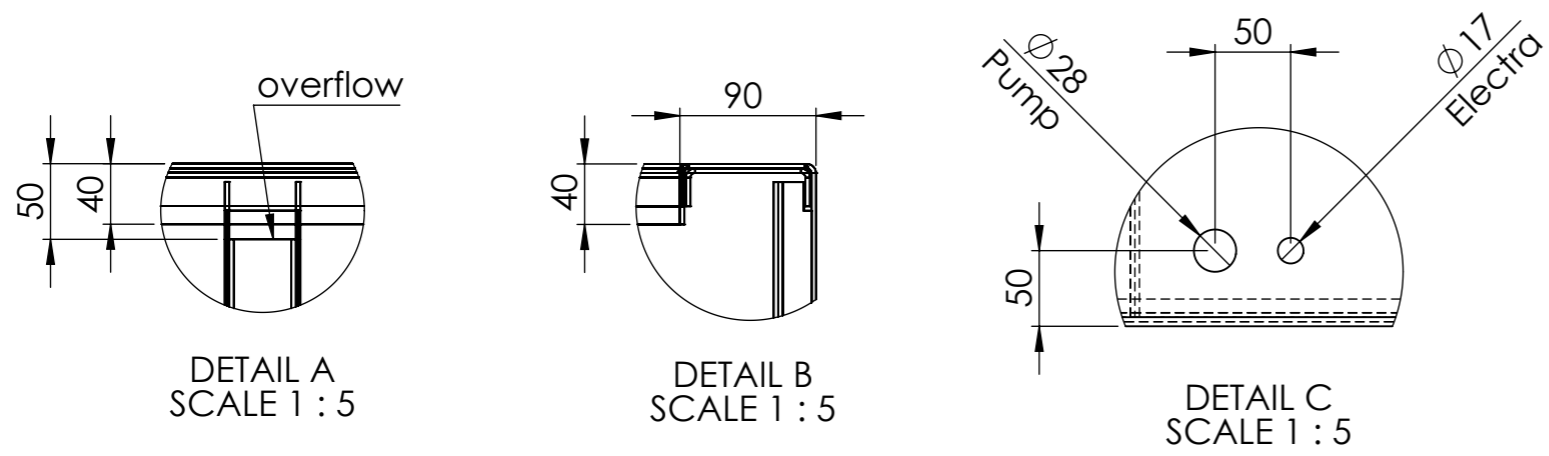
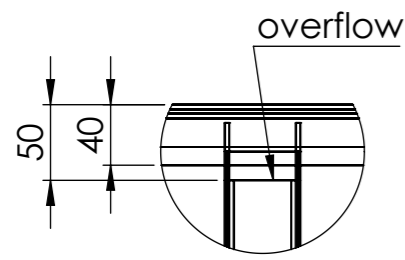


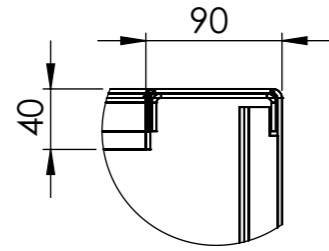
		DATE		TITLE:	
DRAWN	Luuk van den Heuvel	2-2-2020		3mm Corten	
REVISION	Benny Dijkhuis	4-5-2021	Drawing:		
			Liessentstraat 4, 5405 AG Uden (NL). † 0031 (0)413 - 27 41 68. e info@adezz.com, i www.adezz.com		A3
Color:	-	Mass (kg):	380,22	SCALE:1:30	SHEET 1 OF 17



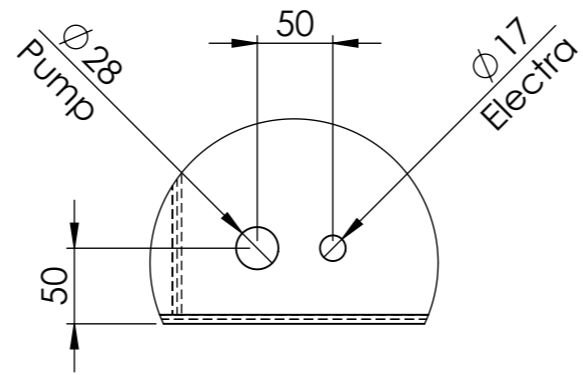
DRAWN	Luuk van den Heuvel	DATE	2-2-2020		TITLE:			
REVISION	Bas Vlamings	DATE	5-4-2024		3mm Corten			
				Liessentstraat 4, 5405 AG Uden (NL). t 0031 (0)413 - 27 41 68. e info@adezz.com, i www.adezz.com		Drawing:	VC2_	A3
Color:	-	Mass (kg):	380,20	SCALE:1:30	SHEET 1 OF 17			



DETAIL A
SCALE 1 : 5



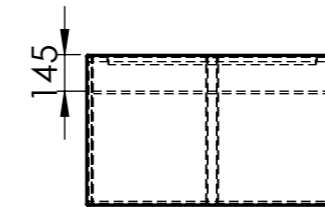
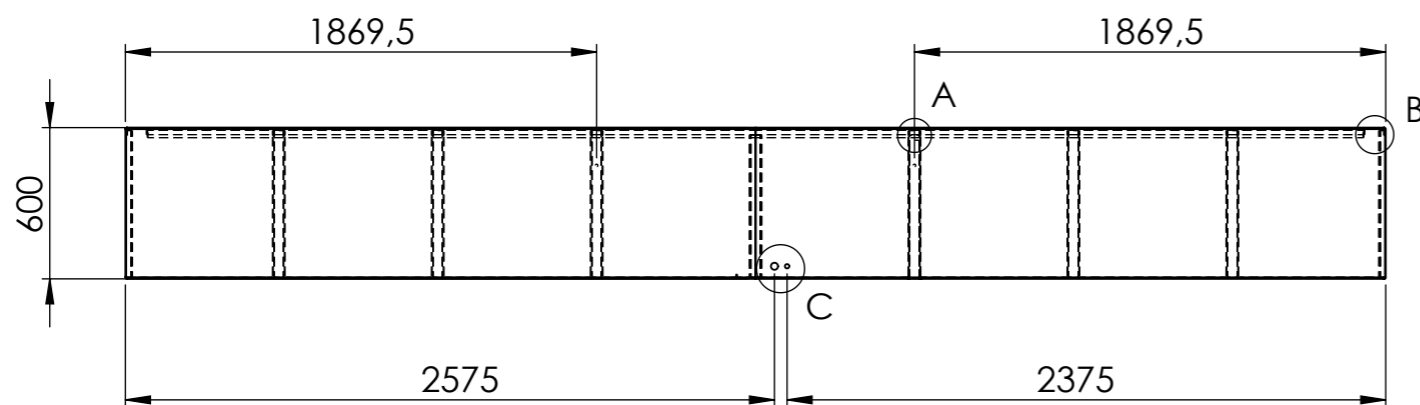
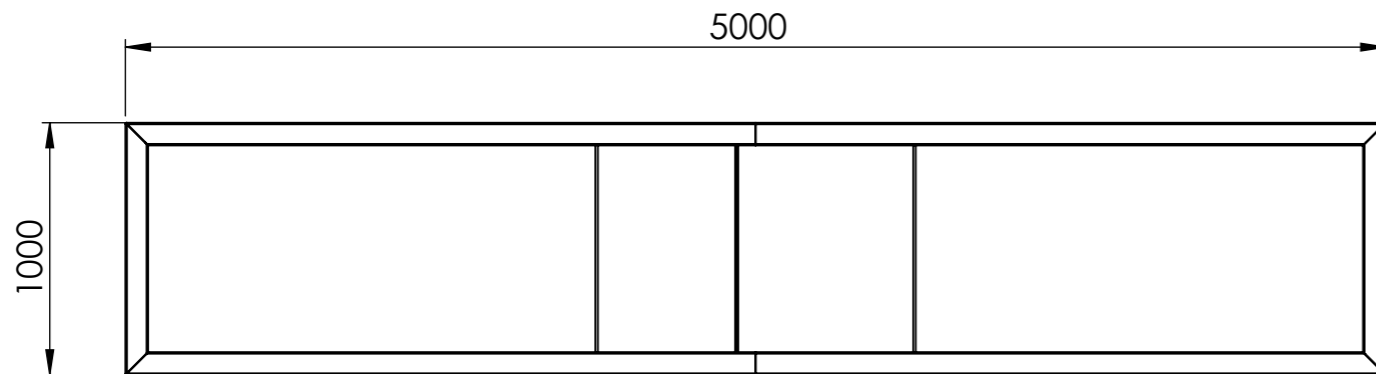
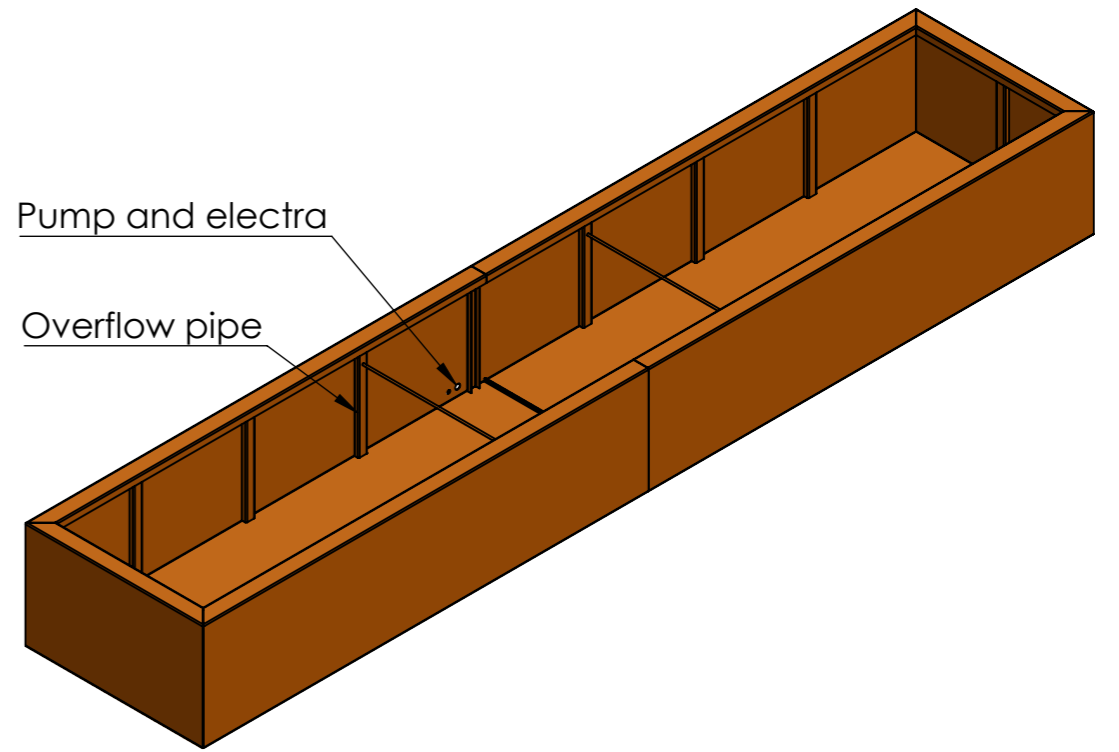
DETAIL B
SCALE 1 : 5



DETAIL C
SCALE 1 : 5

Pump and electra

Overflow pipe



DRAWN	Luuk van den Heuvel	DATE	2-2-2020		TITLE:	3mm Corten	
REVISION	Benny Dijkhuis	DATE	4-5-2021		Drawing:	VC2_	A3
				Liessentstraat 4, 5405 AG Uden (NL). t 0031 (0)413 - 27 41 68. e info@adezz.com, i www.adezz.com			
Color:	-	Mass (kg):	380.20	SCALE:1:30	SHEET 1 OF 17		